

DATE

SPECIFICATIONS

GENERAL SCOPE:

Access doors shall be Karp Type KFD as manufactured by Karp Associates, Inc., Melville, N.Y. Sizes shall be as indicated on the drawings.

SPECIFICATIONS:

Access door shall be a watertight door as manufactured by Karp Associates, Inc. Melville, NY. Door lid shall be fabricated with 3/16" aluminum diamond plate designed to support a 300 lb./s.f. live load with a maximum deflection of 1/150th of span. Frame shall be a 4" deep extruded aluminum channel-type frame with a 1/8" neoprene gasket, continuous anchor flange and a 1-1/2" drain coupling welded to the underside. Door shall open 90 degrees and automatically lock in that position with a stainless steel hold open arm with a red vinyl grip. Door lid shall be equipped with a recessed lift handle. Hinges shall be all stainless steel and attached with tamperproof fasteners. All hardware shall be grade 316 stainless steel. Doors shall have a mill finish with a bitumastic coating applied to the exterior of the frame to prevent hydrolysis with concrete. Doors shall be equipped with a stainless steel spring assist which shall provide a smooth and controlled operation when opening and closing door. Operation will not be affected by temperature. Door shall be equipped with a stainless steel slam lock with cover plug and removable handle. Door shall be furnished with a peel-off protective cover to protect finish from concrete splatter. Underside of lid shall have visibility tape applied for safety. Manufacturer shall guarantee material and workmanship for a period of ten years.

Options:

Skirting to depth of slab, fiberglass insulation, safety chains & posts.

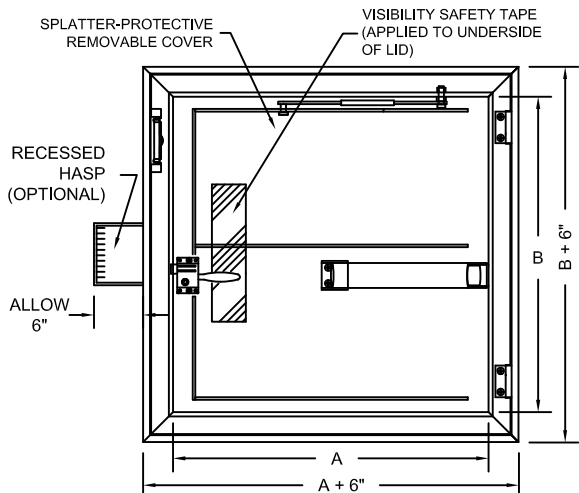
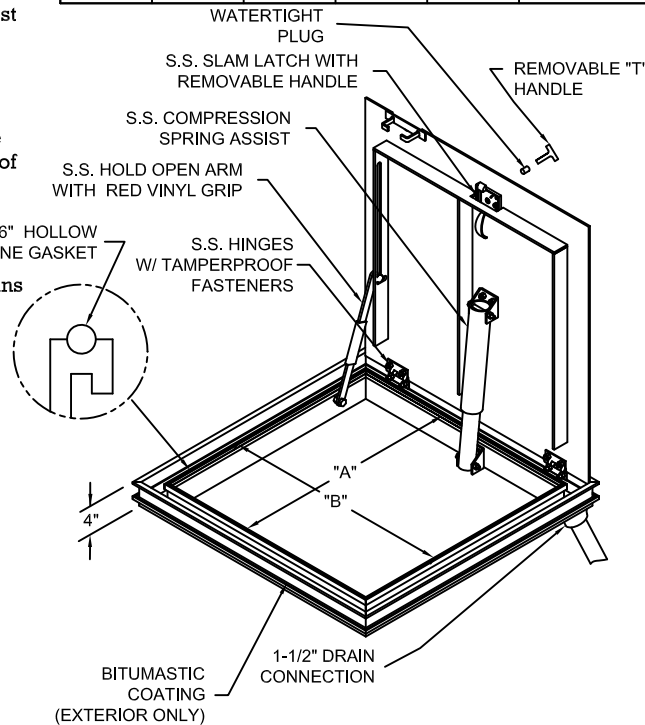
Lock Options:

Staple for padlock, recessed hasp, keyed deadbolt lock, pentahead lock.

STANDARD SIZES

PROJECT DATA					
Project Name:					
Architect:					
Contractor:					
Agent/Customer Name:					
Tagging Instructions:					
Special Instructions:					

PROJECT SCHEDULE					
Qty.	H	W	No. of Latches	Finish	Remarks



DOOR SIZE H X W (IN.)	SHIP WT. (LBS.)	
	KFD-SD	KFD-HD
24 x 24	50.0	71.0
30 x 24	56.0	81.0
30 x 30	63.0	93.0
36 x 24	62.0	91.0
36 x 30	70.0	105.0
36 x 36	78.0	118.0
48 x 36	97.0	147.0
48 x 48	118.0	181.0
72 x 48	158.0	248.0

