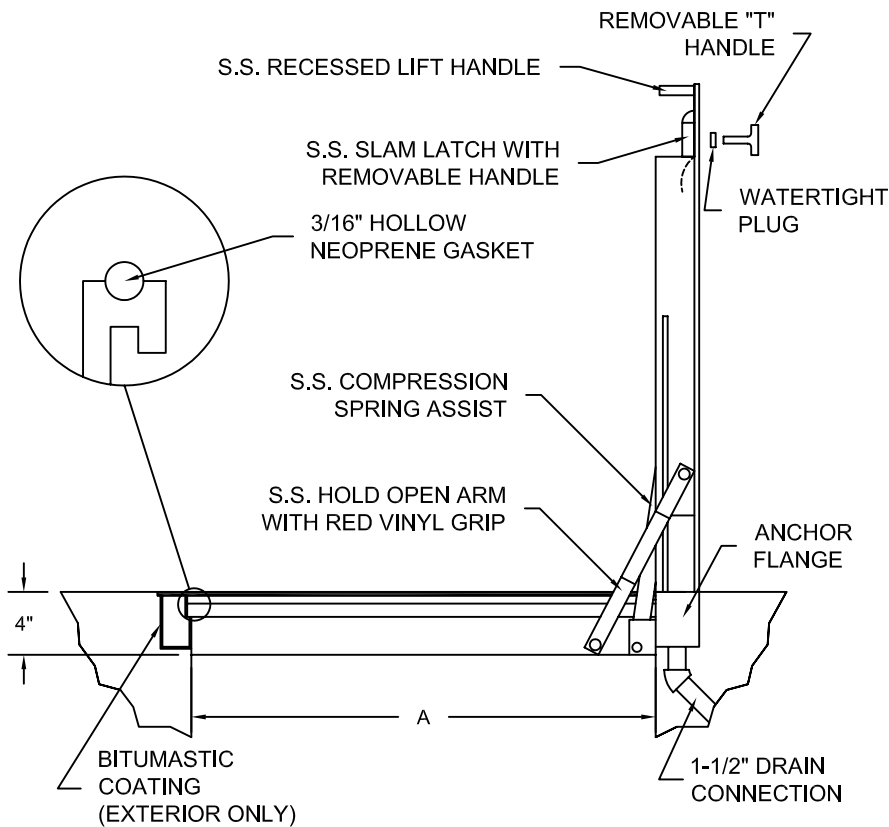


SECTION A-A



SPECIFICATIONS:

Access door shall be a watertight door as manufactured by Karp Associates, Inc., Maspeth, NY. Door lid shall be fabricated with 3/16" aluminum diamond plate designed to support a 300 lb./s.f. live load with a maximum deflection of 1/150th of span. Frame shall be a 4" deep extruded aluminum channel-type frame with a 1/8" neoprene gasket, continuous anchor flange and a 1-1/2" drain coupling welded to the underside. Door shall open 90 degrees and automatically lock in that position with a recessed lift handle. Hinges shall be all stainless steel and attached with tamperproof fasteners. All hardware shall be grade 316 stainless steel. Doors shall have a mill finish with a bitumastic coating applied to the exterior of the frame to prevent hydrolysis with concrete. Doors shall be equipped with a stainless steel spring assist which shall provide a smooth and controlled operation when opening and closing door. Operation will not be affected by temperature. Door shall be equipped with a stainless steel slam lock with cover plug and removable handle. Door shall be furnished with a peel-off protective cover to protect finish from concrete splatter. Underside of lid shall have visibility tape applied for safety. Manufacturer shall guarantee material and workmanship for a period of ten years.

OPTIONS: Skirting to depth of slab, fiberglass insulation, safety chains & posts.
LOCK OPTIONS: staple for padlock, recessed hasp, keyed deadbolt lock, pentahead lock.

MODEL	"A"	"B"	WT.
FD2424APWS	24"	24"	50 lb
FD2430APWS	24"	30"	55 lb
FD2436APWS	24"	36"	60 lb
FD2442APWS	24"	42"	65 lb
FD3030APWS	30"	30"	60 lb
FD3036APWS	30"	36"	65 lb
FD3048APWS	30"	48"	75 lb
FD3636APWS	36"	36"	75 lb
FD3648APWS	36"	48"	95 lb
FD4242APWS	42"	42"	95 lb

"X" " Aluminum
 Pedestrian Loading
 Watertight Door

Karp Associates, Inc.
 54-54 43rd St.
 Maspeth, NY 11378
 TEL: 1-718-784-2105