

DATE



SPECIFICATIONS

GENERAL SCOPE:

Access doors shall be Karp Type DSC-214PL as manufactured by Karp Associates, Inc., Melville, N.Y. Sizes shall be as indicated on the drawings.

CONSTRUCTION:

1. Frame shall be 16 gage steel and door shall be 14 gage steel.
2. Frame shall be surrounded by 22 gage expansion casing bead with metal lath.
3. Hinge shall be concealed continuous piano hinge.
4. Latches shall be flush and screwdriver operated, or shall be key operated cylinder lock with automatic dust shutter.
5. Finish shall be prime coat of rust inhibitive electrostatic powder, baked white enamel.

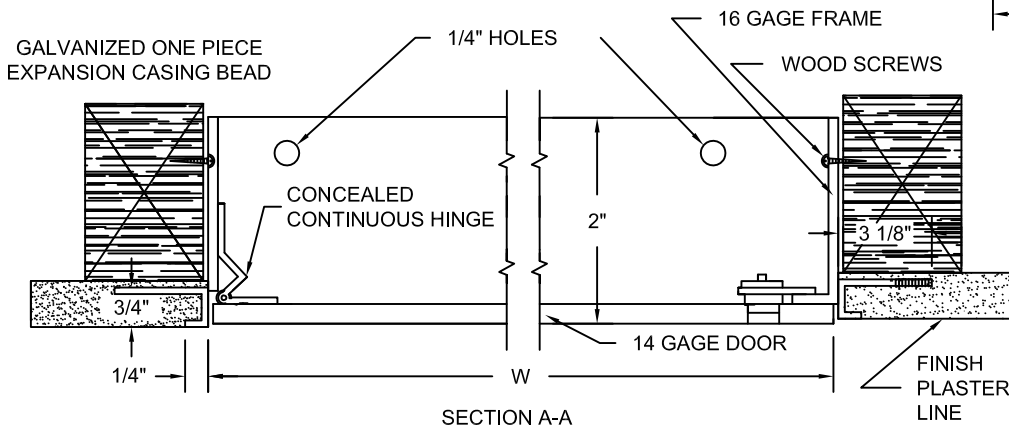
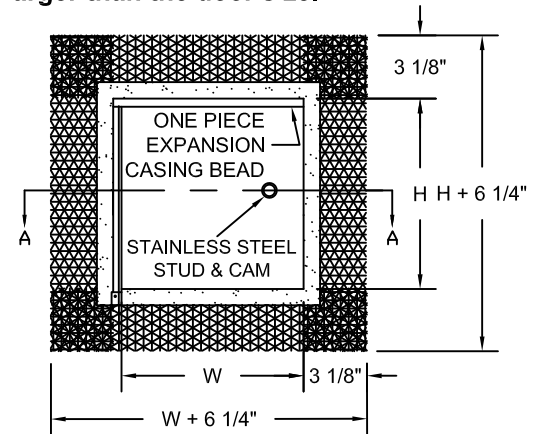
STANDARD SIZES

| DOOR SIZE H X W (IN.) | WALL/CEILING OPENING (IN.) | NUMBER OF LATCHES | SHIP WT. (LBS.) |
|--------------------------|-------------------------------|----------------------|--------------------|
| 8 x 8 | 8 3/8 x 8 3/8 | 1 | 3.5 |
| 10 x 10 | 10 3/8 x 10 3/8 | 1 | 4.5 |
| 12 x 12 | 12 3/8 x 12 3/8 | 1 | 6.0 |
| 14 x 14 | 14 3/8 x 14 3/8 | 2 | 8.5 |
| 16 x 16 | 16 3/8 x 16 3/8 | 2 | 10.0 |
| 18 x 12 | 18 3/8 x 12 3/8 | 2 | 13.0 |
| 18 x 18 | 18 3/8 x 18 3/8 | 2 | 14.0 |
| 20 x 16 | 20 3/8 x 16 3/8 | 2 | 12.0 |
| 24 x 12 | 24 3/8 x 12 3/8 | 2 | 10.6 |
| 24 x 20 | 24 3/8 x 20 3/8 | 2 | 17.0 |
| 24 x 24 | 24 3/8 x 24 3/8 | 5 | 20.0 |
| 30 x 20 | 30 3/8 x 20 3/8 | 5 | 21.0 |
| 30 x 24 | 30 3/8 x 24 3/8 | 5 | 23.5 |
| 30 x 30 | 30 3/8 x 30 3/8 | 5 | 30.0 |
| 36 x 24 | 36 3/8 x 24 3/8 | 5 | 28.0 |
| 36 x 36 | 36 3/8 x 36 3/8 | 5 | 39.0 |

| PROJECT DATA | | | | | |
|-----------------------|--|--|--|--|--|
| Project Name: | | | | | |
| Architect: | | | | | |
| Contractor: | | | | | |
| Agent/Customer Name: | | | | | |
| Tagging Instructions: | | | | | |
| Special Instructions: | | | | | |

| PROJECT SCHEDULE | | | | | |
|------------------|---|---|----------------|--------|---------|
| Qty. | H | W | No. of Latches | Finish | Remarks |
| | | | | | |
| | | | | | |
| | | | | | |
| | | | | | |
| | | | | | |

* The wall opening size for doors larger that 48 x 36 shall be 1/2" larger than the door size.



Made with Union Labor